

OP-MCF8ExxL1SD-xx

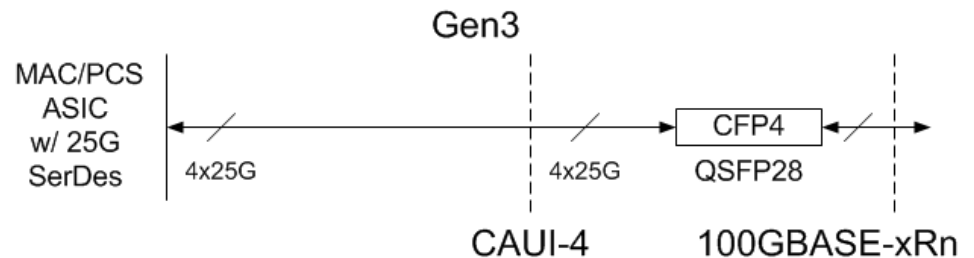
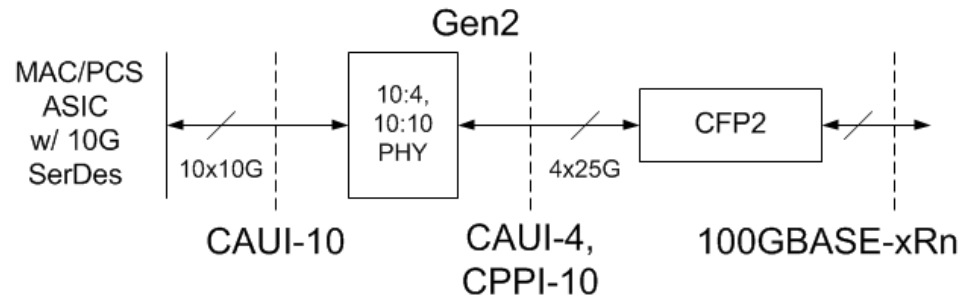
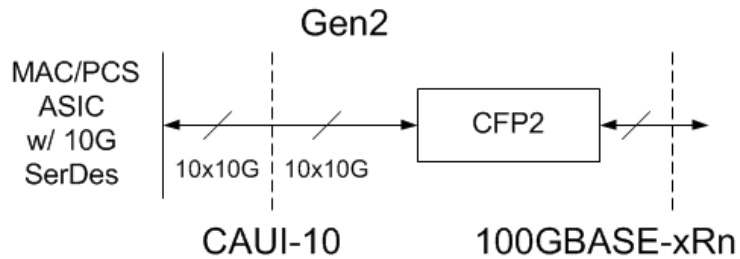
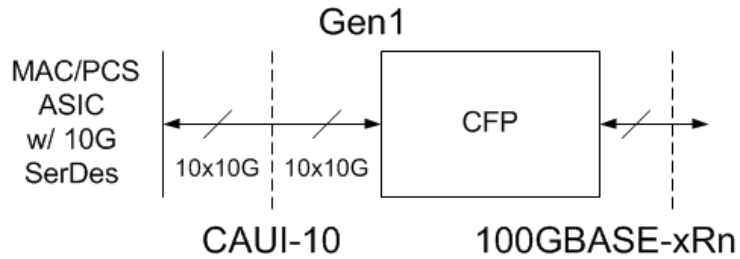
# 400G CFP8 Form Factor Proposal

# Introduction

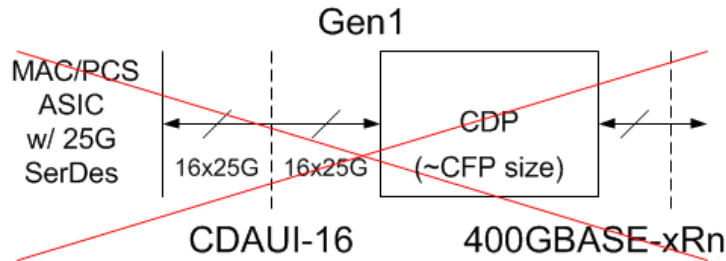
---

- >This is a proposal for a new 400G Form Factor: CFP8
- >The proposed CFP8 form factor is ~CFP2 size but supports 4x100G and 400G, i.e. 4x the CFP2s 1x100G
- >The CFP8 name follows the CFP2 and CFP4 naming convention of suffix designating relative bandwidth density
- >The CFP8 uses a new 16x25G electrical I/O connector
- >CFP8 Electrical I/O and Optical specifications are deferred to other standards organizations like IEEE and ITU-T
- >Example IEEE specifications supported by CFP8:
  - 1.400GBASE-SR16 parallel MMF (16x25G NRZ)
  - 2.400GBASE-FR8/LR8 duplex SMF (8x50G PAM4 WDM)
  - 3.400GBASE-DR4 parallel SMF (4x100G PAM4)
  - 4.CDAUI-16, CDAUI-8
- >CFP8 will support other specifications

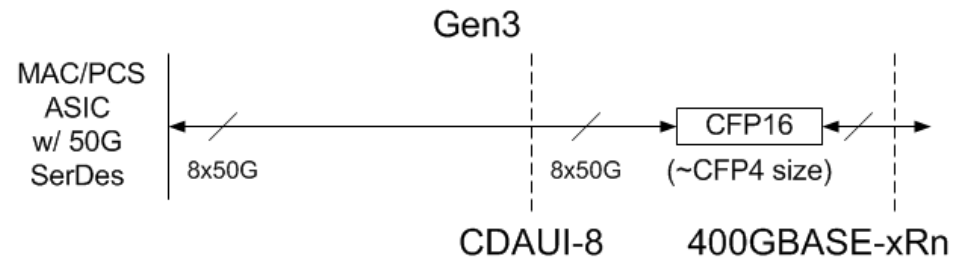
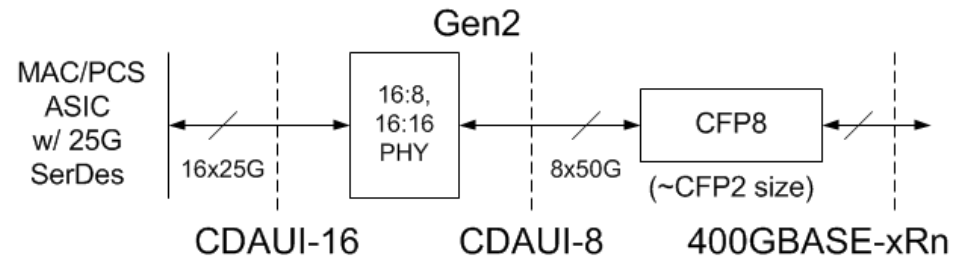
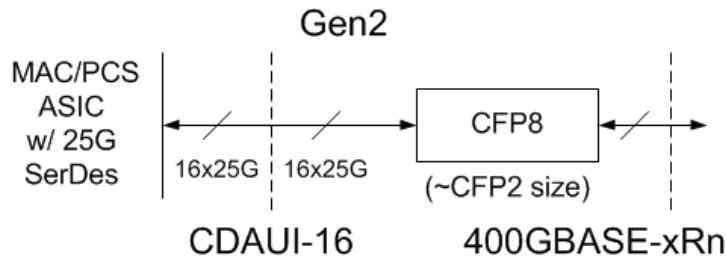
# 100G Form Factor Roadmap



# Proposed 400G Form Factor Roadmap

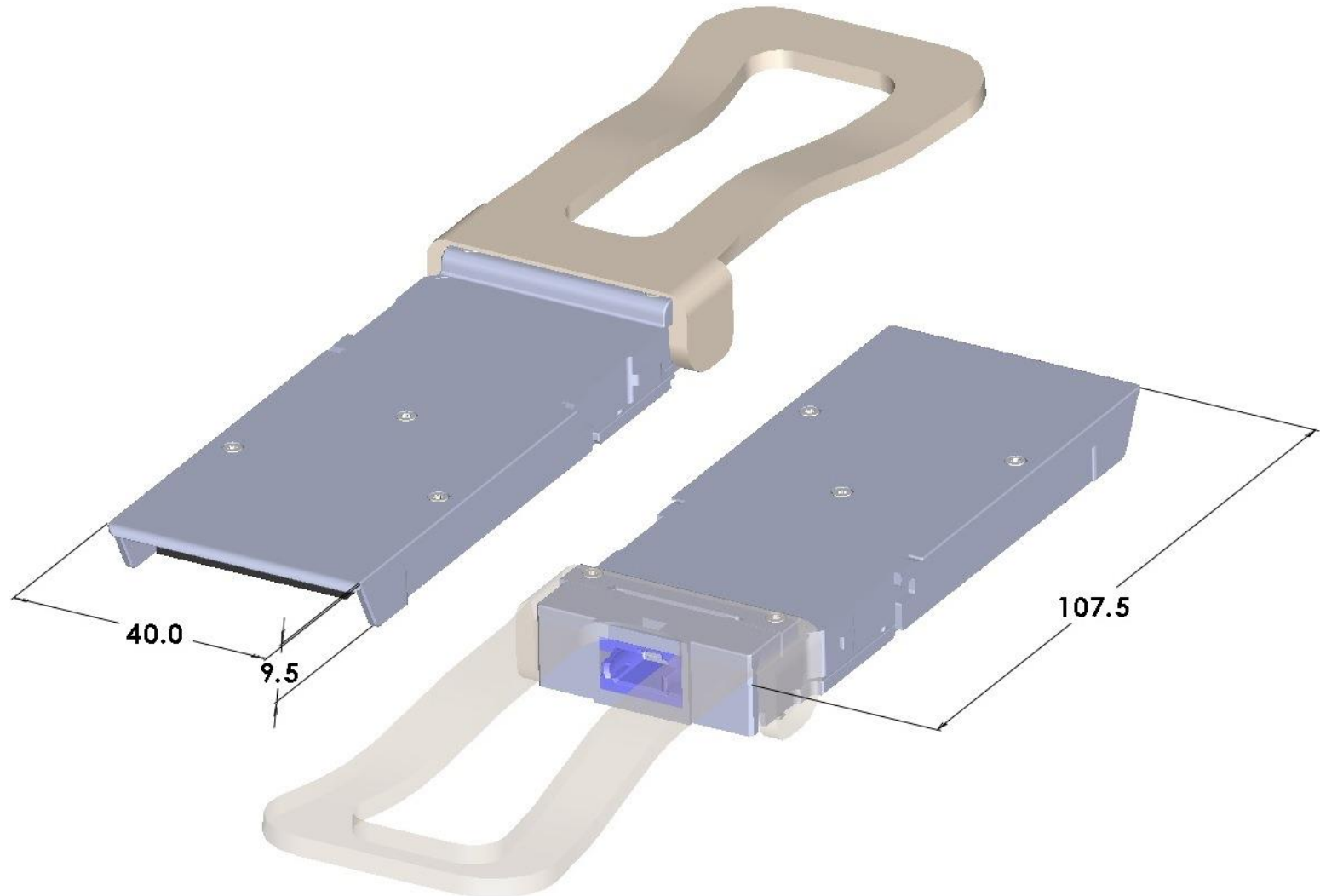


Proposed in May'14  
by the CFP MSA

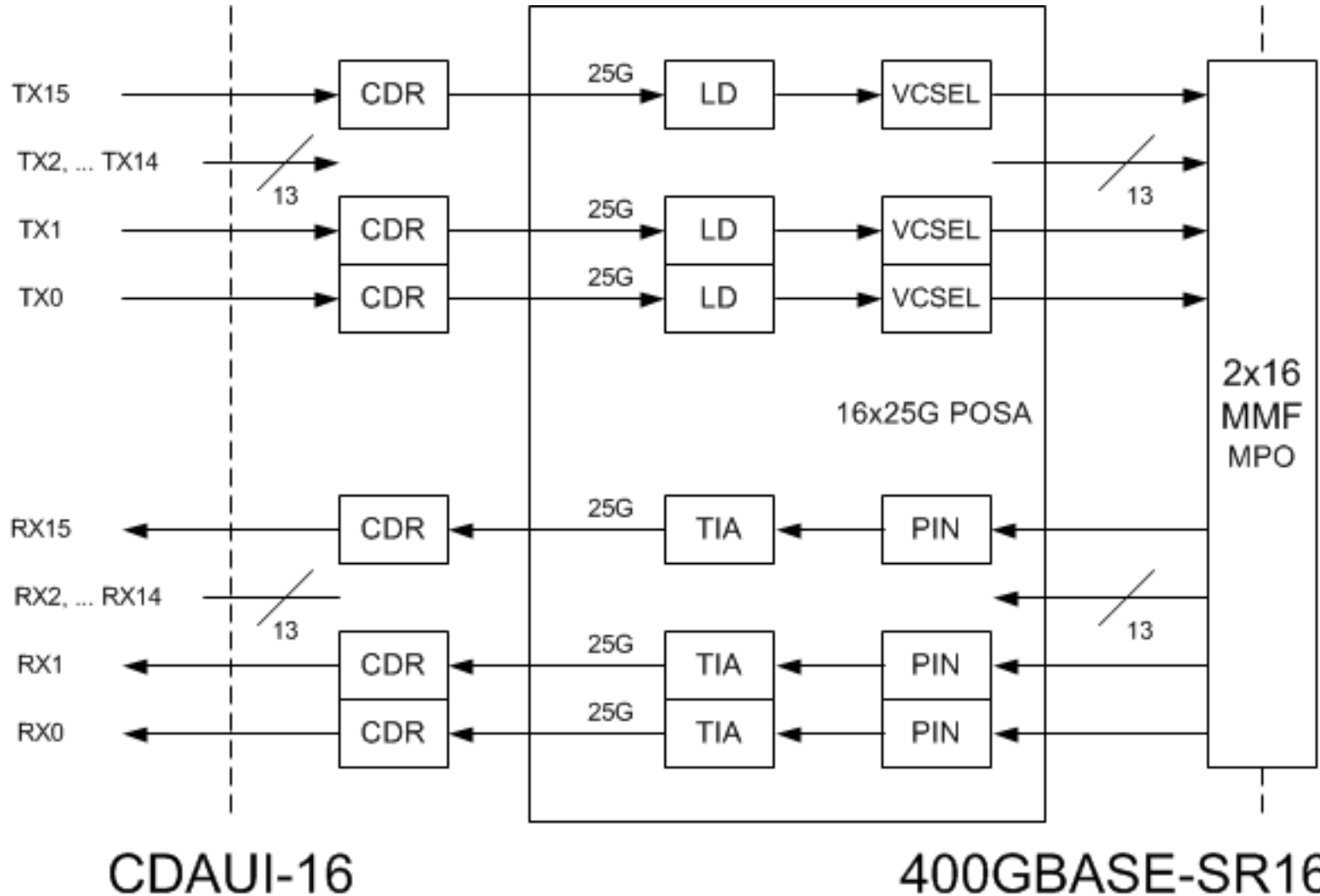


# 400GBASE-SR16 MMF MPO CFP8 Module

---

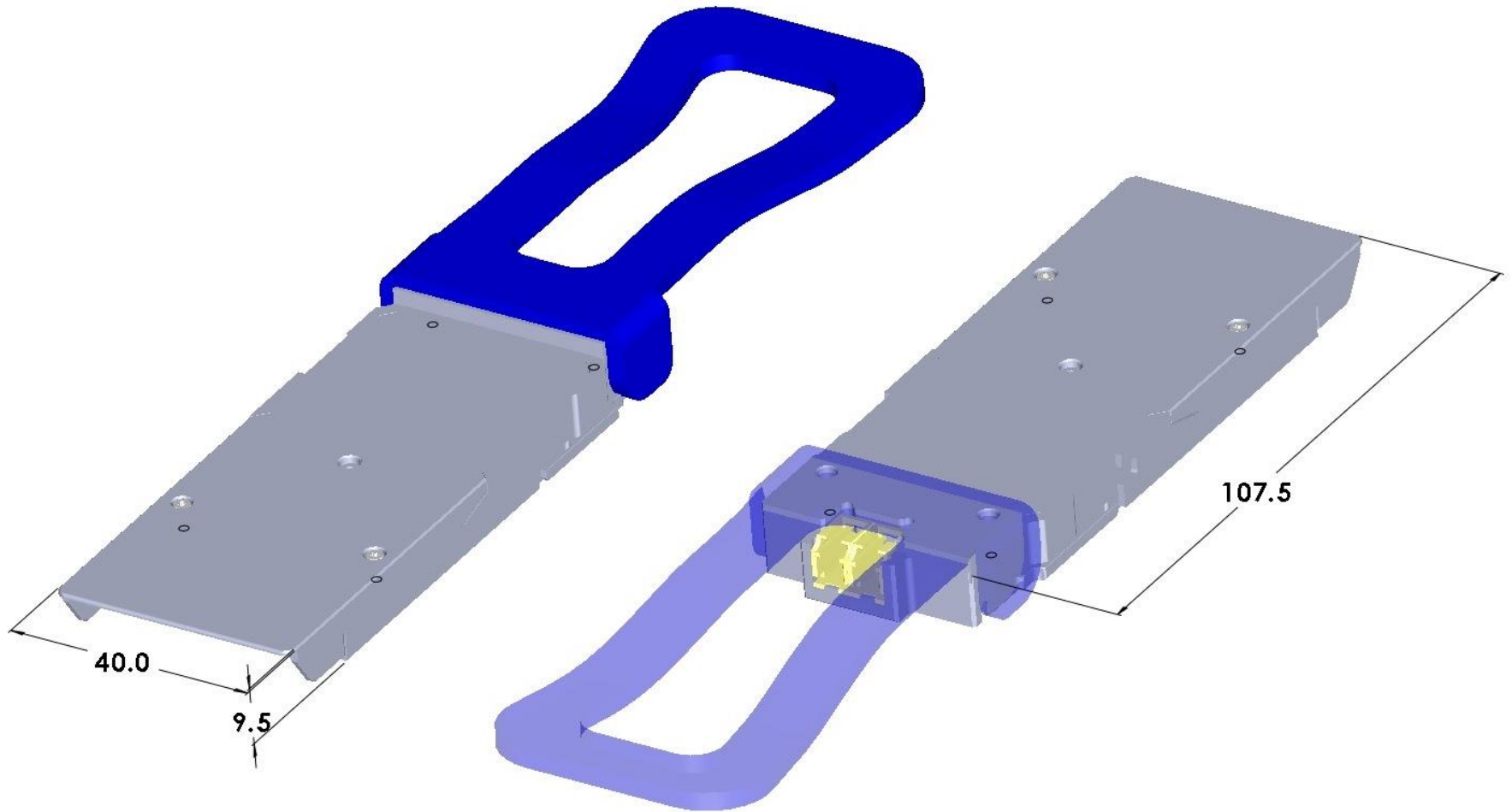


# 400GBASE-SR16 CFP8 Generic Diagram

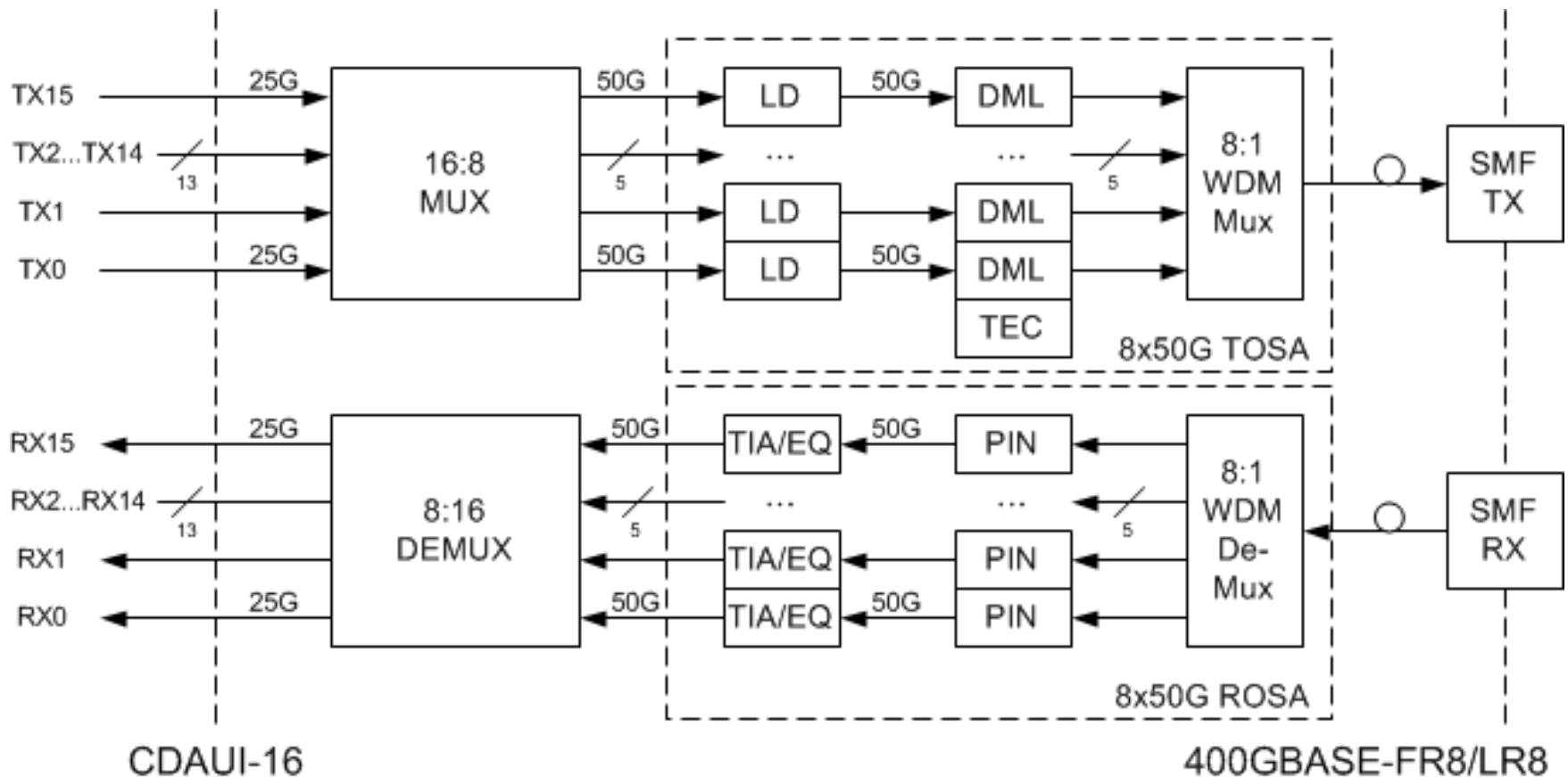


# 400GBASE-FR8/LR8 SMF Duplex LC CFP8

---



# 400GBASE-FR8/LR8 CFP8 Generic Diagram

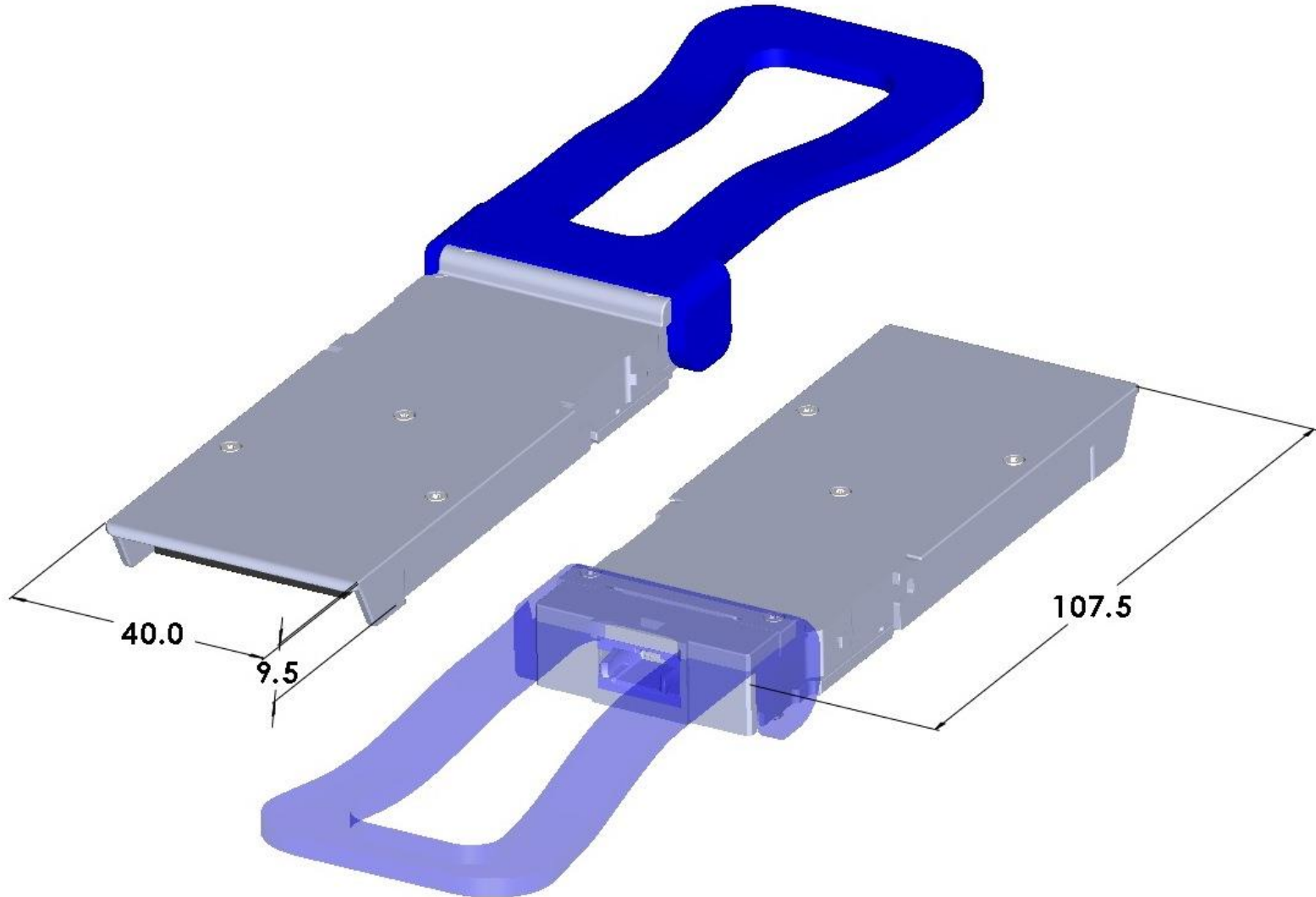


TOSA DML alternatives are EML and CW laser + MZ Mod.

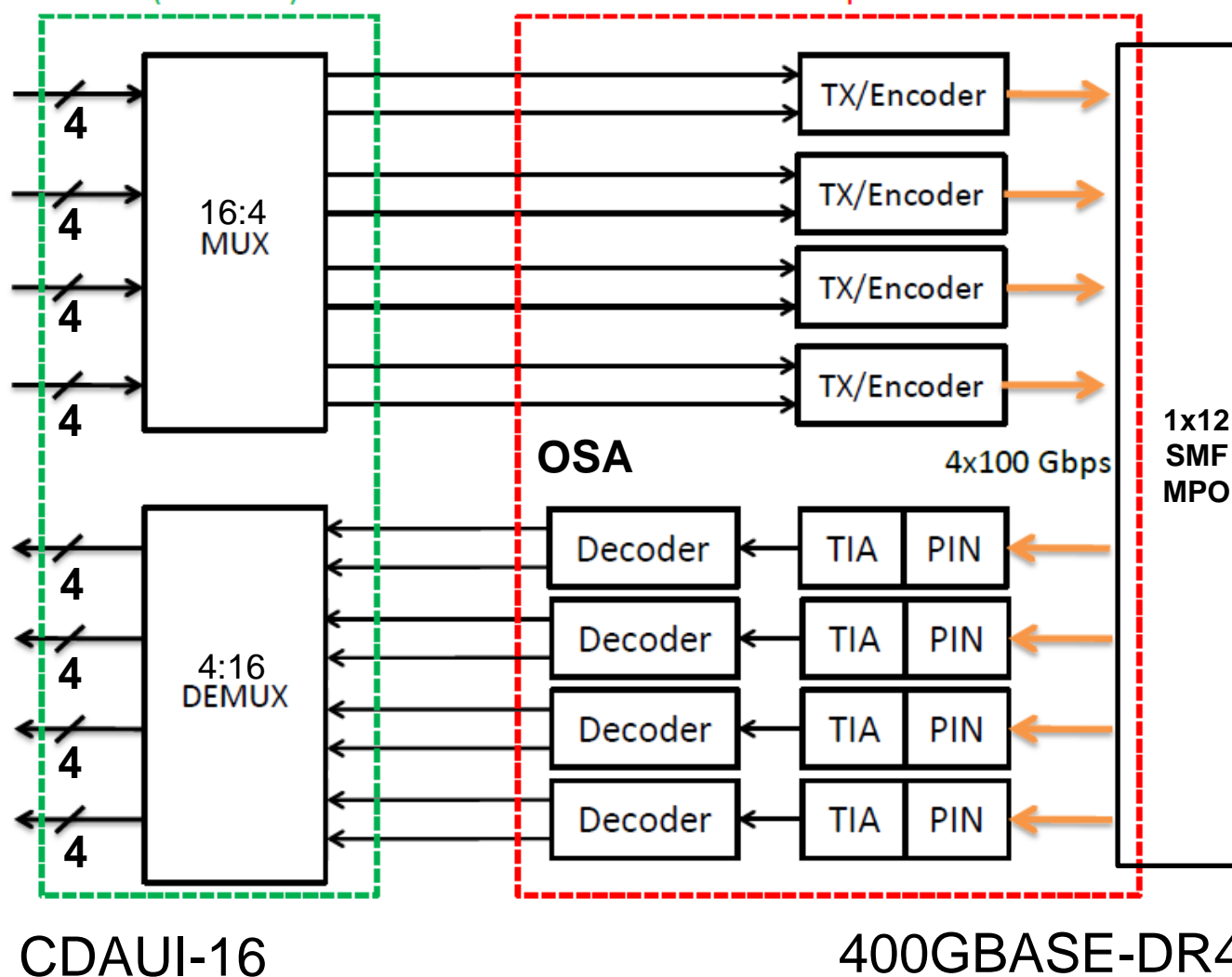


# 400GBASE-DR4 SMF MPO CFP8 Module

---



# 400GBASE-DR4 CFP8 Generic Diagram



# 400G CFP8 Form Factor Proposal

---

Shenzhen Optostar Optoelectronics Co., Ltd

Address:A-14,Haide Building,Haide Second Road Nanshan District,Shenzhen,P.R.China

Tel: +86-755-26400198 +86-755-26400288

Fax: +86-755-26411001

Email: [info@optostar.com.cn](mailto:info@optostar.com.cn)

Skype:ouyangroya

Web: [www.optostar.com.cn](http://www.optostar.com.cn)